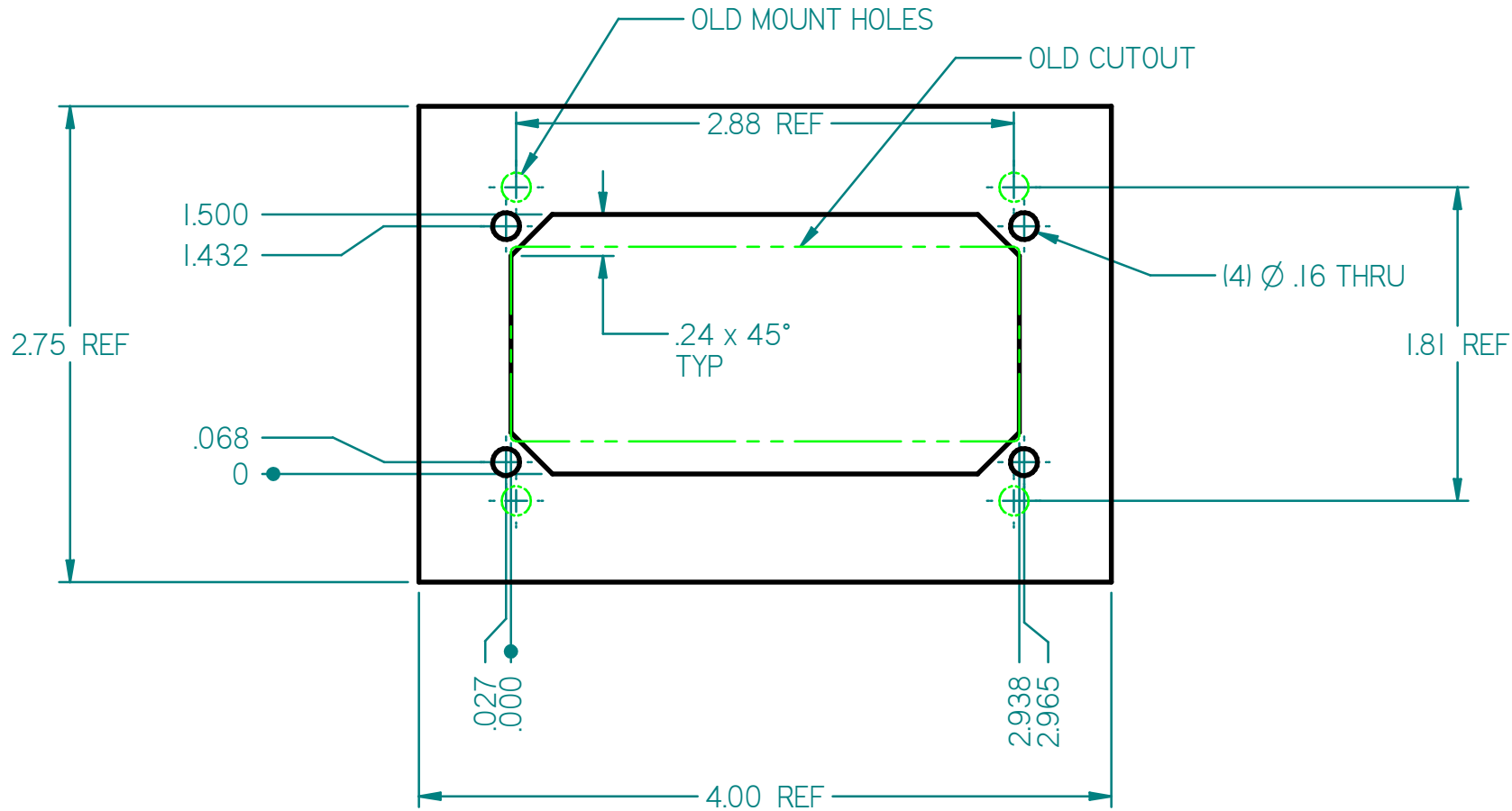


NO.	REVISION	BY	DATE



ENGLISH VALUES IN INCHES UNLESS NOTED DEFAULT TOLERANCES MAT'L CUT LENGTH ± 1/16 LOCATION Decimals .00 ± .015 Decimals .000 ± .005 Decimal s .0000 ± .0005 Angles..... ± 1/2° WELDMENTS ± 1/16	REABE A. I., INC. RESERVES PROPRIETARY RIGHTS ON THIS DRAWING OR ANY PART OF THE INFORMATION CONTAINED THEREON. THIS DRAWING SHALL BE CONSIDERED CONFIDENTIAL MATERIAL AND IS NOT TO BE USED FOR COMPETITIVE BIDDING NOR FOR USE IN ANY PROCUREMENTS OTHER THAN FROM REABE A. I., INC.			
	MAT'L: DASH		DASH CUTOUT	
	COATING: PAINT		DESIGNED BY: TRR	
	REABE AIRCRAFT IMPROVMENT INC PLAINFIELD, WI		DRAWN BY: TRR CHECKED BY: JRR DATE: 22 FEB 2011	SCALE: 1:1 SHEET NUMBER: 1 TOTAL SHEETS: 1